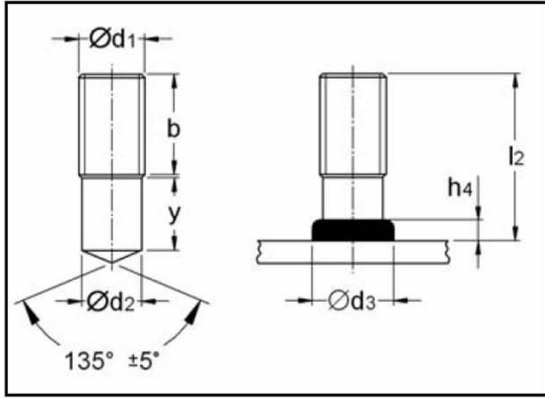


PD SERIES

Threaded stud with partial thread

d_1	l_2	h_4	d_2	d_3	b	y_{min}	Weight (g)	Ceramic ring							
M6	20	3.5	5.35	8.5	/	9	3.8	PF 6 [Page 7]							
	25						4.5								
	30						5.5								
	35				20	/	6.4								
	40						7.3								
	50						9.1								
	60						10.1								
M8	20	3.5	7.19	10	/	9	6.9	PF 8 [Page 7]							
	25						8.4								
	30						10.0								
	35						11.6								
	40						13.2								
	45						14.8								
	50						16.4								
	55				40	/	18.0								
	60						19.6								
	80						26.0								
	100						31.8								
	M10						20		4	9.03	12.5	/	9.5	10.9	PF 10 [Page 7]
							25							13.4	
30		15.7													
35		18.4													
40		20.9													
50		26.0													
55		28.5													
60		40	/	30.8											
70				36.0											
80				41.0											
100				51.1											
140				71.2											
150				76.2											
160				81.3											
M12	25	4.5	10.86	15.5	/	11.5	19.5	PF 12 [Page 7]							
	30						23.1								
	35						26.4								
	40						30.4								
	45						34.0								
	50						37.6								
	60				40	/	44.9								
	70						52.2								
	80						59.4								
	100						74.0								
	120						88.5								
	140						103.1								
	150						110.3								
	160						117.6								
							80		/						



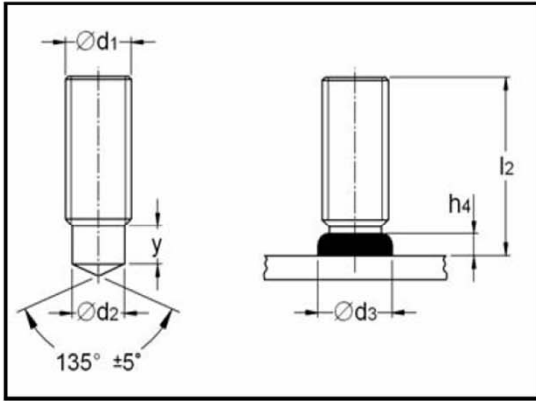
PD SERIES

Threaded stud with partial thread

d_1	l_2	h_4	d_2	d_3	b	y_{min}	Weight (g)	Ceramic ring
M16	30	6	14.7	19.5	/	13.5	42.7	PF 16 [Page 7]
	35						48.1	
	40						56.0	
	45						62.6	
	50						69.3	
	55				76.0	/		
	60				82.6			
	65				89.3			
	70				95.9			
	75				100.4			
	80				109.3	/		
	85				115.9			
	90				122.6			
	100				135.9			
	140				189.2			
160	215.8							
M20	40	7	18.38	24.5	/	15.5	88.0	PF 20 [Page 7]
	45						98.5	
	50				106.7	/		
	60				129.7			
	65				140.1			
	70				150.5			
	80				171.4			
	90				188.2	/		
	100				213.0			
	115				244.2			
	120				254.7			
	125				265.1			
M24	50	10	22.05	30	/	20	157.4	PF 24 [Page 7]
	55						172.4	
	60						187.4	
	70				212	/		
	80				247.4			
	90				277.3			
	100				307.3			
	120				367.3			
	150				457.2			

RD SERIES

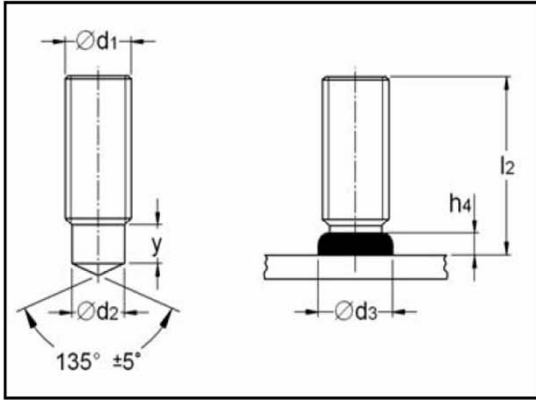
Threaded stud with reduced shaft



d ₁	l ₂	h ₄	d ₂	d ₃	y _{min}	Weight (g)	Ceramic ring
M6	20	2.5	4.7	7	4	3.4	RF 6 [Page 7]
	25					4.3	
	30					5.2	
	35					6	
	40					6.9	
	50					8.7	
	60					10.5	
M8	20	2.5	6.2	9	4	6.1	RF 8 [Page 7]
	25					7.7	
	30					9.3	
	35					10.9	
	40					12.5	
	45					14.1	
	50					15.7	
	55					17.3	
	60					18.9	
	80					25.2	
100	31.6						
M10	20	3	7.9	11.5	5	9.6	RF 8 [Page 7]
	25					12.1	
	30					14.6	
	35					17.2	
	40					19.7	
	50					24.7	
	55					27.2	
	70					34.8	
	80					39.8	
	100					50.1	
M12	25	4	9.5	13.5	6	17.4	RF 12 [Page 7]
	30					21.1	
	35					24.7	
	40					28.3	
	45					32	
	50					35.6	
	60					42.9	
	70					50.2	
	80					57.4	
	100					72	

RD SERIES

Threaded stud with reduced shaft



d_1	l_2	h_4	d_2	d_3	y_{min}	Weight (g)	Ceramic ring
M16	30	6	13.2	18	11	38.1	RF 16 [Page 7]
	35					44.8	
	40					51.4	
	45					58.1	
	50					64.8	
	55					71.4	
	60					78.1	
	65					84.7	
	70					91.4	
	75					98.1	
	80					104.7	
	90					11.8	
100	13.14						
M20	40	7	16.5	23	13	80	RF 20 [Page 7]
	45					90.4	
	50					10.8	
	60					121.6	
	65					132	
	70					142.5	
	80					163.3	
	90					184.1	
	100					204.9	
	M24					50	
55		160.3					
60		175.3					
70		205.3					
80		235.2					
90		265.2					
100		295.2					